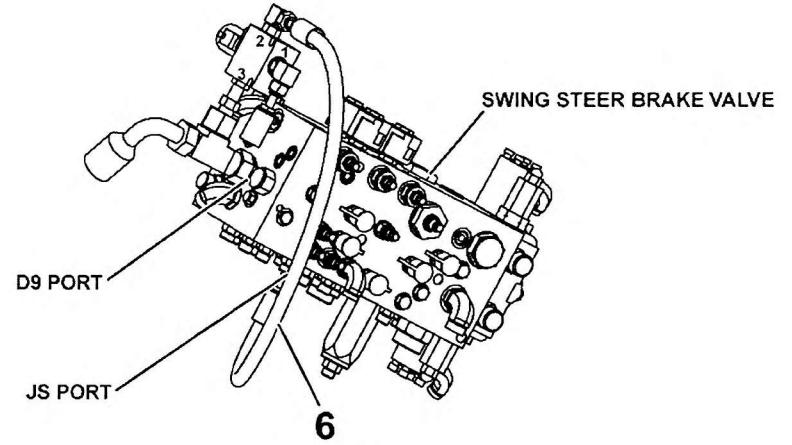
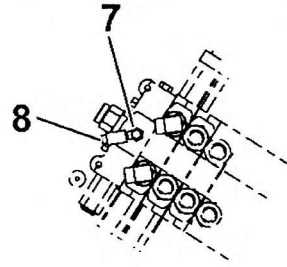
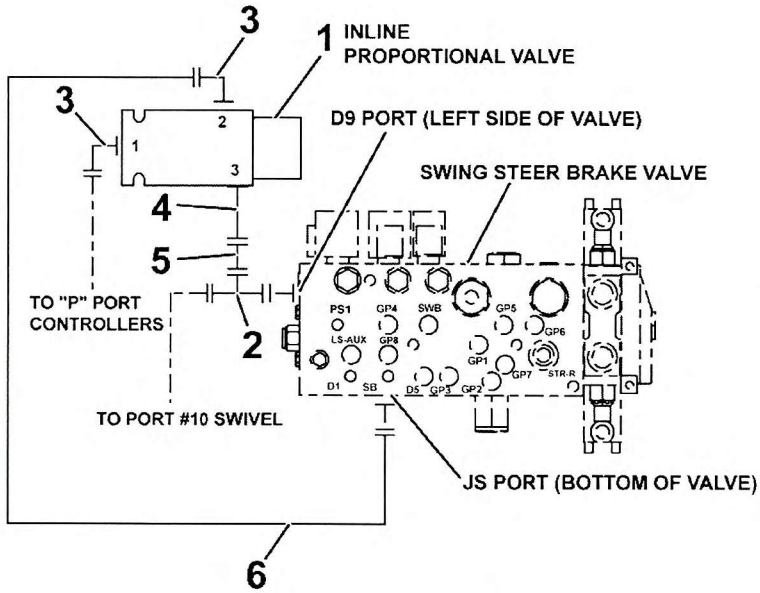


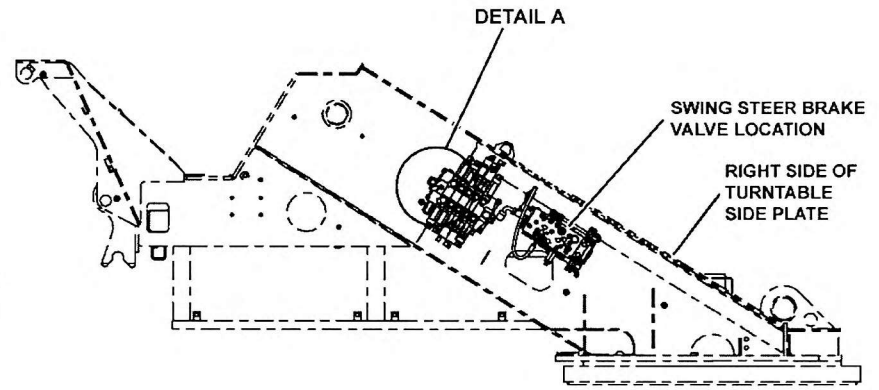
DETAIL A
LOAD SENSE PRESSURE SWITCH



ISO VIEW



HYD LINES INSTL VIEW



VALVE INSTL VIEW